

Cable carriers with
variable chain widths

M Series



M Series – Cable carriers with variable chain widths



- Available in 1, 4, 8 or 16 mm width sections
- Can be opened quickly on the inside and the outside for cable laying
- Solid plastic or in combination with aluminium stays
- Enclosed stroke system not sensitive to dirt/contamination
- Transmission of forces (tensile and shearing forces) over a large surface area via the optimum link design – according to the “life extending 2 disc principle” (Not for type 0320)
- Standard universal mounting brackets (UMBs), suitable for any assembly situation
- Maximum choice of stay systems and ways of separating the cables
- Highly wear-resistant, replaceable glide shoes available – resulting in minimal wear at high speeds, sliding in the guide channel
- Optionally available with different strain relief systems
- Minimal noise emissions with types MCL 0650 and MCL 0950
- Completely enclosed types with aluminium or plastic cover systems (See MT series)
- TÜV design approved in accordance with 2PFG 1036/10.97



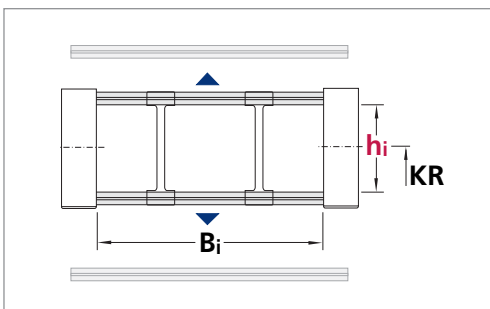
Types MC 0320, 0650, 0950 and 1250 with aluminium stays

Plastic and aluminium combination available in 1 mm width sections

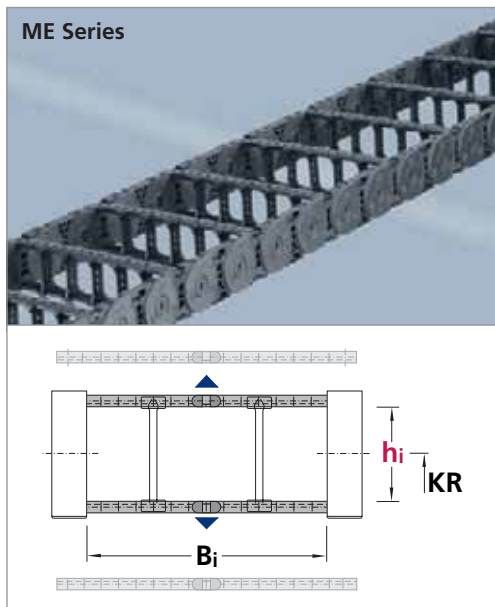


Dimensions in mm

Type	h_i	B_i	Maximum travel length in m	Dynamics of unsupported arrangement		Page
				Travel-speed v_{max} in m/s	Travel-acceleration a_{max} in m/s^2	
MC 0320	19	25-280	80	10	50	102
MC 0650	38	75-500	220	8	40	102
MC 0950	58	100-600	260	6	30	102
MC 1250	72	100-800	320	5	25	102



M Series – Cable carriers with variable chain widths



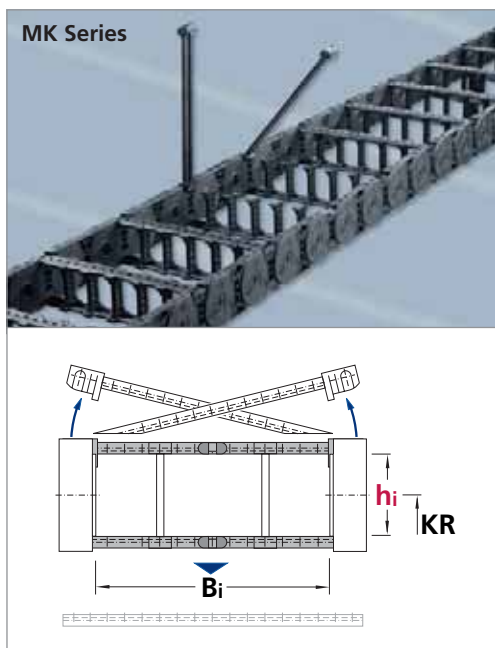
Types ME 0320, 0650, 0950 and 1250 with plastic stays

Solid plastic

available in 4, 8 or 16 mm width sections

Dimensions in mm

Type	h _i	B _i	Maximum travel length in m	Dynamics of unsupported arrangement		Page
				Travel speed v _{max} in m/s	Travel acceleration a _{max} in m/s ²	
ME 0320	19	25-149	80	10	50	110
ME 0650	42	50-266	220	8	40	111
ME 0950	58	45-557	260	6	30	111
ME 1250	72	71-551	320	5	25	111



Types MK 0475, 0650, 0950 and 1250 with plastic stays

Solid plastic

available in 8 or 16 mm width sections

Dimensions in mm

Type	h _i	B _i	Maximum travel length in m	Dynamics of unsupported arrangement		Page
				Travel speed v _{max} in m/s	Travel acceleration a _{max} in m/s ²	
MK 0475	28	24-280	120	10	50	110
MK 0650	42	50-258	220	8	40	111
MK 0950	58	45-557	260	6	30	111
MK 1250	72	71-551	320	5	25	111



Tubes – covered cable carriers

Types MT 0475, 0650, 0950 and 1250 with plastic or aluminium cover system

Detailed information can be found in the chapter MT Series from page 150 onwards.

M Series – Types MC 0320, 0650, 0950 and 1250

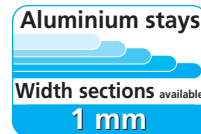
Carrier construction

Type MC 0320



Hybrid cable carriers with plastic chain bands and aluminium stays.

Available in 1 mm width sections.



Stay arrangement:

Stays mounted on every chain link.

Opening variant 02 (Standard):

Frame stays can be detached on the outside

Opening variant 01:

Frame stays can be detached on the inside

If you require opening variant 01 please state when placing your order.

Types MC 0650, 0950 and 1250



Hybrid cable carriers with chain bands of plastic and stays of aluminium.

Available in 1 mm width sections.



Standard stay arrangement:

on every 2nd chain link.

Stays can be fitted on every chain link, please specify when placing your order.

M Series – Types MC 0320, 0650, 0950 and 1250

Stay variants

Stay variants for types MC 0650, 0950 and 1250



Frame stay RS made of aluminium – Standard design – types 0650 and 0950

For lightweight to medium loads.

Opening options:

Outside / Inside: the cable carrier can be opened quickly and easily simply by rotating the stays through 90°.



Frame stay RV made of aluminium – Reinforced design – types 0950 and 1250

For medium to heavy loads and for large chain widths.

Opening options:

Outside / Inside: the cable carrier can be opened quickly and easily simply by rotating the stays through 90°.



Frame stay RM made of aluminium – Solid design – types 0950 and 1250

Bolted, maximum stability, maximum chain widths possible.



Additional stay variants for types MC 0650, 0950 and 1250



Stay variant LG made of aluminium:
Optimum cable guidance in the neutral bending line



Stay variant RMR:
Gentle cable laying by means of rollers. Ideal when using hydraulic hoses with "soft" sheaths



Stay variant RMA:
For very large cable diameters, such as e.g. with air hoses

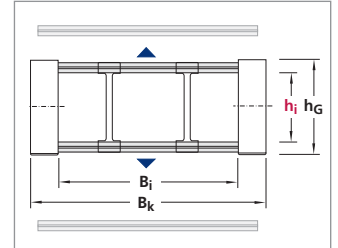
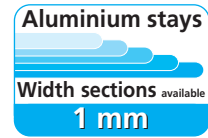
For M Series solid plastic cable carriers see page 110.
For M Series covered types see page 150.

M Series – Types MC 0320, 0650, 0950 and 1250

Dimensions and intrinsic chain weight

Dimensions in mm/Weights in kg/m

Type	Stay variant	h_i	h_G	B_i min	q_k min	B_i max	q_k max	B_k
MC 0320	RS	19	27.5	25	0.42	280	1.65	$B_i + 11$
MC 0650	RS	38	57	75	2.00	400	3.80	$B_i + 34$
MC 0950	RS	58	80	100	3.20	400	4.70	$B_i + 39$
MC 0950	RV	58	80	100	3.50	500	5.90	$B_i + 39$
MC 0950	RM	54	80	100	3.40	600	6.60	$B_i + 39$
MC 1250	RV	72	96	100	4.40	600	6.30	$B_i + 45$
MC 1250	RM	69	96	100	4.50	800	8.40	$B_i + 45$



Bend radius and pitch

Dimensions in mm

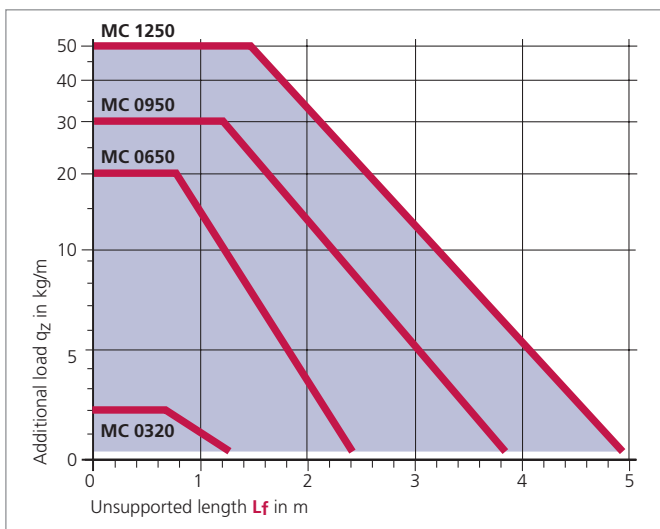
Type	Bend radii KR								
MC 0320	37	47	77	100	200	–	–	–	–
MC 0650	75	95	115	145	175	220	275	300	350
MC 0950	140	170	200	260	290	320	380	–	–
MC 1250	180	220	260	300	340	380	500	–	–

Pitch:

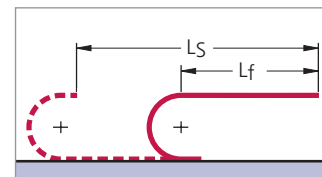
- MC 0320: $t = 32$ mm
- MC 0650: $t = 65$ mm
- MC 0900: $t = 95$ mm
- MC 1250: $t = 125$ mm

Load diagram

for unsupported length L_f depending on the additional load



Unsupported length L_f



In the case of longer travel lengths, sag of the cable carriers is technically permissible depending on the application.

In a gliding arrangement, even longer travel lengths are possible (see page 219).

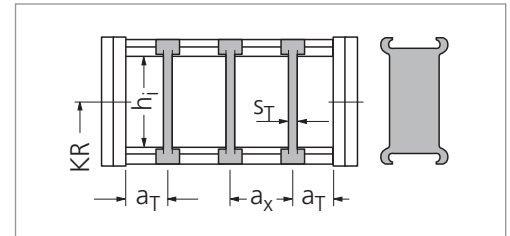
We are at your service to advise on these applications.

M series – Types MC 0320, 0650, 0950 and 1250

Divider systems

Divider system TS 0

Type	Stay variant	h_i mm	S_T mm	a_T min mm	a_x min mm
MC 0320	RS	19	2	3	6
MC 0650	RS	38	3	4.5	13
MC 0950	RS	58	4	4.5	14
MC 0950	RV	58	4	4.5	14
MC 0950	RM	54	4	7	14
MC 1250	RV	72	6	8	16
MC 1250	RM	69	5	10	20



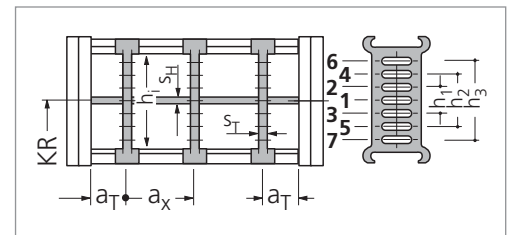
In the standard version, the divider systems are mounted on every second chain link.

The dividers can be moved in the cross section.

Divider system TS 1

with continuous height subdivision made of aluminium

Type	Stay variant	h_i mm	S_T mm	a_T min mm	a_x min mm	S_H mm	h_1 mm	h_2 mm	h_3 mm
MC 0320	RS	19	2	3	6	2	10	–	–
MC 0650	RS	38	3	4.5	13	4	15	–	–
MC 0950	RS	58	4	4.5	14	4	30	–	–
MC 0950	RV	58	4	4.5	14	4	15	30	–
MC 1250	RV	72	6	8	16	4	15	30	45



In the standard version, the divider systems are mounted on every second chain link.

The dividers can be moved in the cross section.

Divider system TS 3

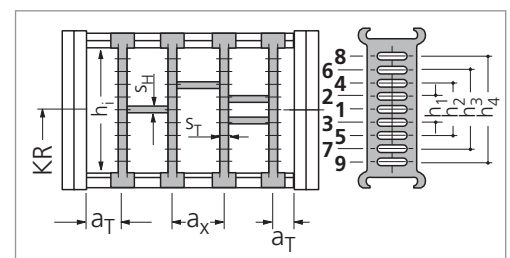
MC 0650, 0950 and 1250 with plastic partition divider system TS 3

For these types, divider system TS 2 with aluminium height subdivisions (in 1 mm width sections) is also available.

Type	Stay variant	h_i mm	S_T mm	a_T min mm	a_x min mm	S_H mm	h_1 mm	h_2 mm	h_3 mm	h_4 mm
MC 0650	RS	38	8	4	16*	4	14	28	–	–
MC 0950	RV	58	8	4	16*	4	14	28	42	–
MC 1250	RV	72	8	4	16*	4	14	28	42	56

* When using plastic partitions

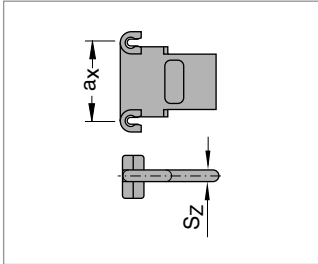
The dividers are fixed by the partitions, the complete divider system is movable.



In the standard version, the divider systems are mounted on every second chain link.

M Series – Types MC 0320, 0650, 0950 and 1250

Dimensions of the plastic partitions for TS 3



There are also aluminium partitions in 1 mm width sections available.

Dimensions in mm

S_z	a_x (center-to-center distance, dividers)									
4	16	18	23	28	32	33	38	43	48	58
	64	68	78	80	88	96	112	128	144	160
	176	192	208							

When using **partitions with $a_x > 112$ mm**, there should be an additional central support with a **twin divider**.

Thickness of the twin dividers: MC 0650 $S_T = 3$ mm, MC 0950, 1250 $S_T = 4$ mm

Twin dividers are designed for subsequent fitting in the partition system. You can find further information on this in our main catalog.

Gliding elements – the economical solution for gliding applications

Replaceable glide shoes



By means of a positive snap connection, the glide shoes sit firmly on the chain link.

Replaceable glide shoes made of plastic*

To extend the life of cable carriers in gliding operations KABELSCHLEPP supplies detachable, exchangeable glide shoes.

Replaceable glide shoes are a very economical solution. When wear occurs only the glide shoes are replaced, and not the complete cable carrier.

For travel speeds > 2.5 m/s and large additional loads, a highly wear-resistant special material is used.

For type MC 0950 **OFFROAD glide shoes** with 70 % greater wear volumes are also available. We recommend their use in extreme environmental conditions (with particularly abrasive materials such as e. g. sand, dust, corundum).

* not for MC 0320

Chain height with glide shoes: (Dimensions in mm)

MC 0650:	$h_G' = h_G + 3,2 = 60.2$
MC 0950:	$h_G' = h_G + 3,5 = 83.5$
MC 1250:	$h_G' = h_G + 3,5 = 99.5$

Minimum bend radii when using glide shoes:

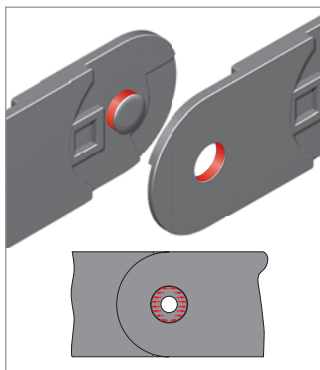
MC 0650:	$KR_{min} = 95$ mm
MC 0950:	$KR_{min} = 140$ mm
MC 1250:	$KR_{min} = 180$ mm

Minimized hinge wear owing to the “life extending 2 disc principle”

In the M Series*, the push and pull forces are transmitted via the optimum link design for this purpose.

As a result link wear is reduced to a minimum and the life of the cable carrier is considerably lengthened.

* not for type 0320



Force transmission with a pin-hole joint



Force transmission with the “life extending 2 disc principle”

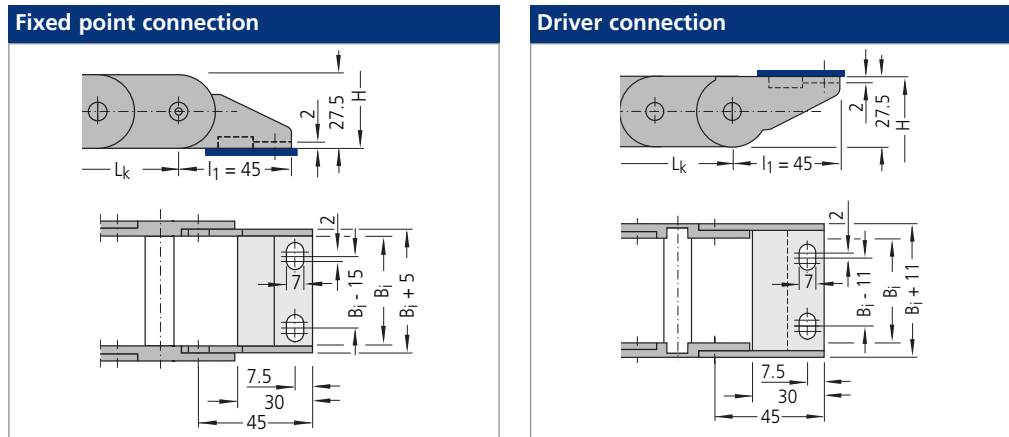
M Series – Types MC 0320, 0650, 0950 and 1250

Connection dimensions for type MC 0320

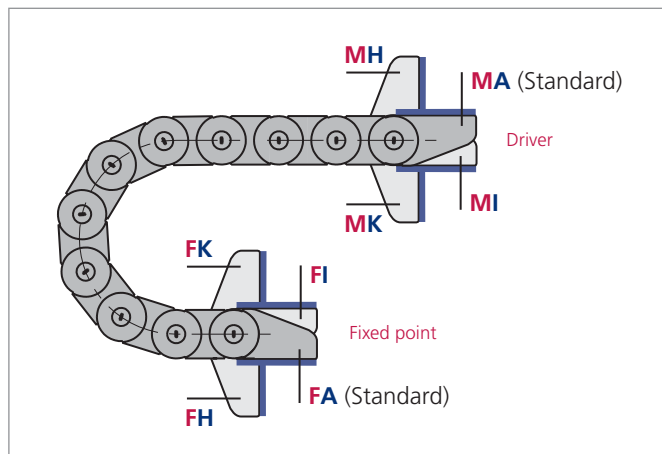
Connectors made of plastic/aluminium

Standard connectors without strain relief.

Connectors with strain relief available on request.



Connection variants for type MC 0320



Connection point

- M** – Driver
- F** – Fixed point

Connection type

- A** – Threaded joint outside (standard)
- I** – Threaded joint, inside
- H** – Threaded joint, rotated through 90° to the outside
- K** – Threaded joint, rotated through 90° to the inside

In the standard version, the connectors are mounted with the threaded joint outwards (**FA/MA**).

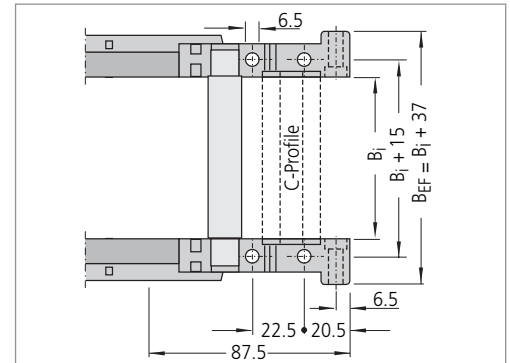
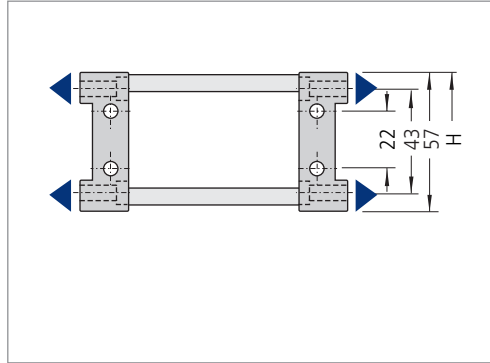
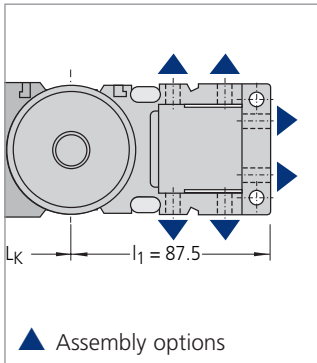
When ordering please specify the desired connection type (see ordering key on page 245).

The connection type can subsequently be altered simply by changing the connectors.

M Series – Types MC 0320, 0650, 0950 and 1250

Connection dimensions for type MC 0650

UMB (Universal Mounting Brackets) made of aluminium



The dimensions of the fixed point and drive connections are identical.

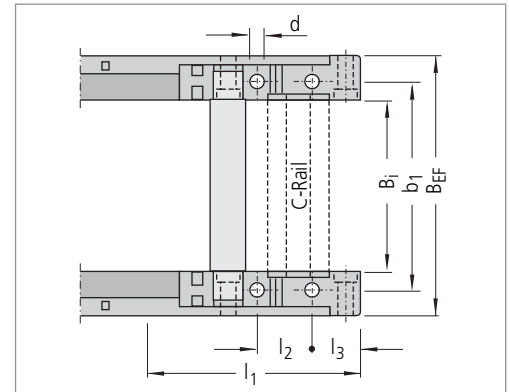
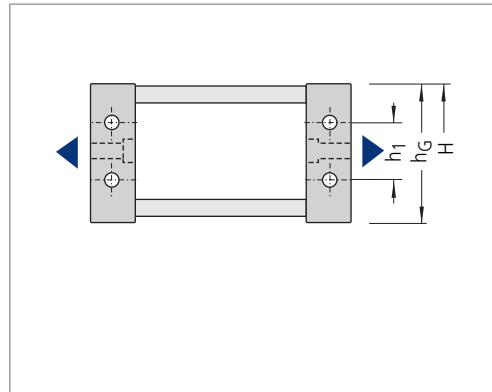
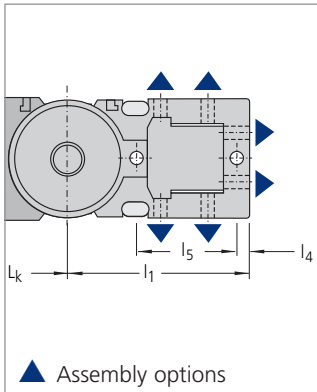
Optionally with C-Profile, slot width 11 – 12 mm,
suitable for KABELSCHLEPP SZL-strain relief devices
and all common commercial bracket clamps with a small base
(see chapter on guide channels and other accessories, from page 218 onwards).

End connectors made of steel plate available on request.

M Series – Types MC 0320, 0650, 0950 and 1250

Connection dimensions for types MC 0950 and 1250

UMB (Universal Mounting Brackets) made of aluminium



The dimensions of the fixed point and driver connections are identical.

Optionally with C-Rail, slot width 16 – 17 mm, suitable for KABELSCHLEPP SZL-strain relief devices and all common commercial bracket clamps with a large base (see chapter on guide channels and other accessories, from page 218 onwards).

End connectors made of steel plate available on request.

Dimensions in mm

Type	B_{EF}	b_1	d	l_1	l_2	l_3	l_4	l_5	h_1	h_G
MC 0950	$B_i + 44$	$B_i + 24.5$	8.5	136	35	24.5	8.5	80	45	80
MC 1250	$B_i + 51$	$B_i + 28$	11	168	35	31	10.5	94.5	45	96

B_{EF} = Width of the cable carrier over connector

M Series – Types ME and MK

Carrier construction and stay variants

Type ME 0320



Plate design and plastic stay variant RE

Opening options:

Outside / Inside: simply by turning

Available in **4 mm width sections**.

Stay arrangement:

Stays mounted on every chain link.



Type MK 0475

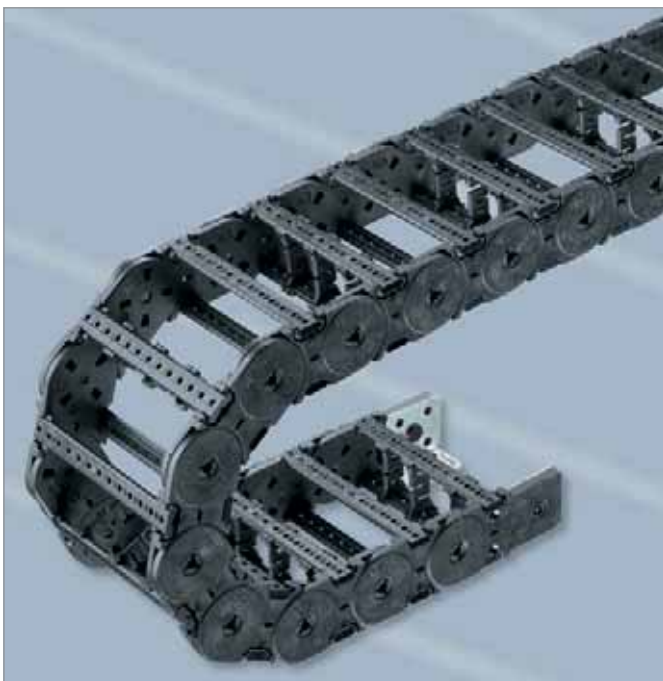


Plate design and plastic stay variant RD

Opening options for opening variant 02 (Standard)

Outside: simply by levering open (on the right or left)

Inside: simply by turning

Opening possibilities in case of opening variant 01

Outside: simply by turning

Inside: simply by levering open (on the right or left)

If you require opening variant 01, please state when placing your order.

Available in **8 mm width sections**.

Stay arrangement:

Stays mounted on every chain link.



M Series – Types ME and MK

Carrier construction and stay variants

Types ME 0650, 0950 and 1250



Plate design and plastic stay variant RE

Opening options:
Outside / Inside: simply by turning

ME 0650: Available in **8 mm width sections**.
ME 0950, 1250: Available in **16 mm width sections**.

Standard stay arrangement:
 on every 2nd chain link.

Stays can be fitted on every chain link, please specify when placing your order.



Types MK 0650, 0950 and 1250

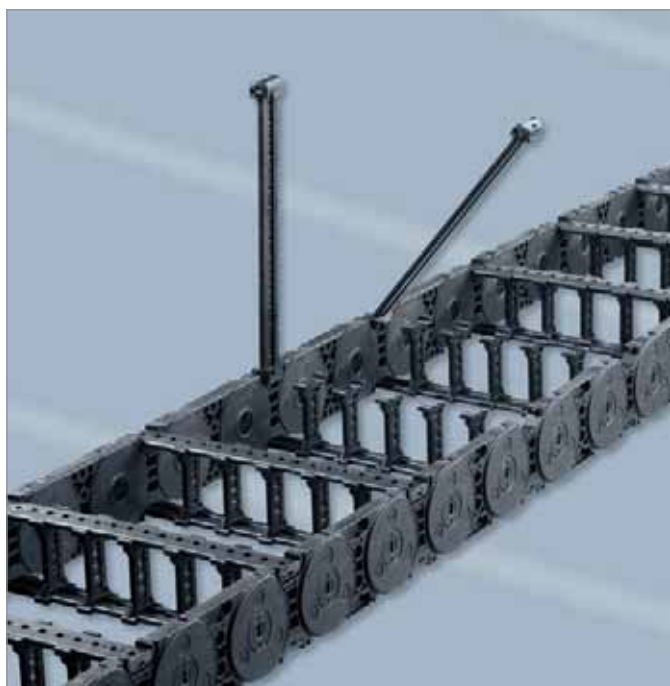


Plate design and plastic stay variant RD

Opening options:
Outside: simply by levering open (on the right or left)
Inside: simply by turning

MK 0650: Available in **8 mm width sections**.
MK 0950, 1250: Available in **16 mm width sections**.

Standard stay arrangement:
 on every 2nd chain link.

Stays can be fitted on every chain link, please specify when placing your order.



For M Series hybrid cable carriers see page 102.
 For M Series covered types see page 150.

Types ME 0320, MK 0475, ME/MK 0650, 0950 and 1250

Dimensions and intrinsic chain weight

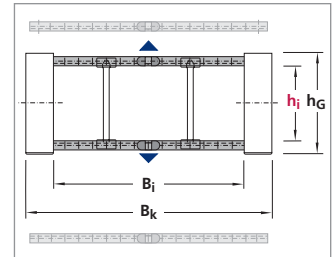
Dimensions in mm/Weights in kg/m

Type	Stay variant	h_i	h_G	B_i min	q_k min	B_i max	q_k max	B_k
ME 0320	RE	19	27.5	25	0.46	149	0.85	$B_i + 11$
MK 0475	RD	28	39	24	0.79	280	3.03	$B_i + 17$
ME 0650	RE	42	57	50	2.00	266	2.84	$B_i + 34$
MK 0650	RD	42	57	50	2.00	258	2.81	$B_i + 34$
ME/MK 0950	RE/RD	58	80	45	3.00	557	6.20	$B_i + 39$
ME/MK 1250	RE/RD	72	96	71	4.30	551	5.80	$B_i + 45$

Plastic stays

Width sections available

- ME 0320: 4 mm
- MK 0475: 8 mm
- ME/MK 0650: 8 mm
- ME/MK 0950/1250: 16 mm



Bend radius and pitch

Dimensions in mm

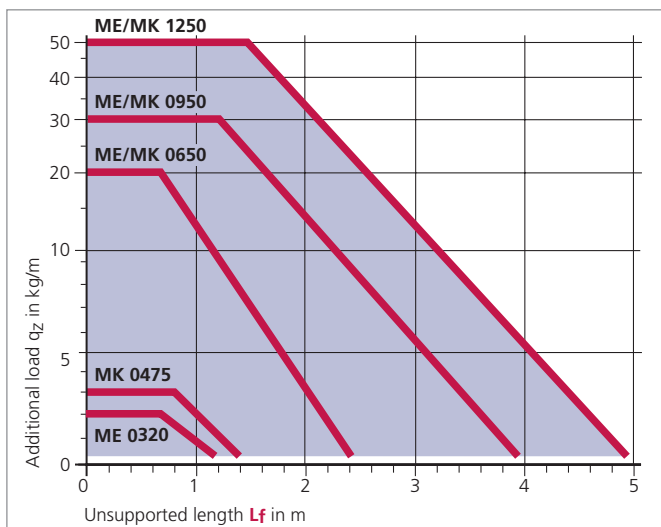
Type	Bend radii KR								
ME 0320	37	47	77	100	200	–	–	–	–
MK 0475	55	75	100	130	160	200	250	300	–
ME/MK 0650	75	95	115	145	175	220	275	300	350
ME/MK 0950	140	170	200	260	290	320	380	–	–
ME/MK 1250	180	220	260	300	340	380	500	–	–

Pitch:

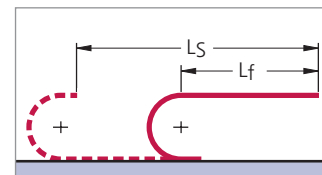
- ME 0320: $t = 32$ mm
- MK 0475: $t = 47.5$ mm
- ME/MK 0650: $t = 65$ mm
- ME/MK 0950: $t = 95$ mm
- ME/MK 1250: $t = 125$ mm

Load diagram

for unsupported length L_f depending on the additional load



Unsupported length L_f



In the case of longer travel lengths, sag of the cable carriers is technically permissible depending on the application.

In a gliding arrangement, even longer travel lengths are possible (see page 219).

We are at your service to advise on these applications.

Types ME 0320, MK 0475, ME/MK 0650, 0950 and 1250

Fixing the dividers

In the standard version, dividers or the complete divider system (dividers with height separation) can be moved in the cross section.

(Mounting version A)

If the fixed mounting version is desired, please state this when placing your order

However, it is often also possible to fix dividers or complete divider systems (dividers with height separation) by turning the stays.

(Mounting version B)

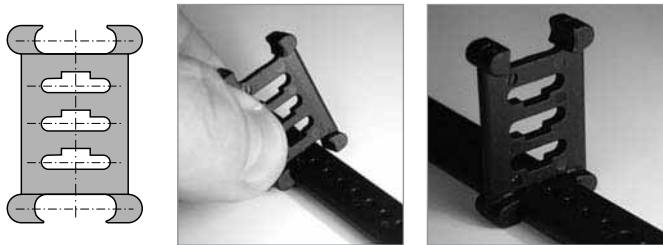
Type ME 0320

Mounting versions A and B for divider systems

Mounting version A (standard)

Movable divider:

Divider without arresting cams



Caution: With type ME 0320, the stay does not have a groove. Different dividers are required for mounting versions A and B:

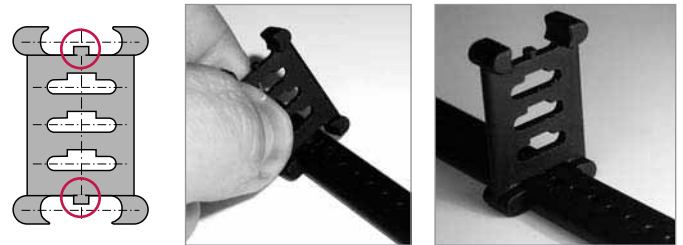
Version A: Dividers **without** arresting cams

Version B: Dividers **with** arresting cams

Mounting version B

Fixed divider:

Divider with arresting cams



Thus, with type ME 0320, the mounting version A **cannot** be changed into mounting version B simply by turning the stay.

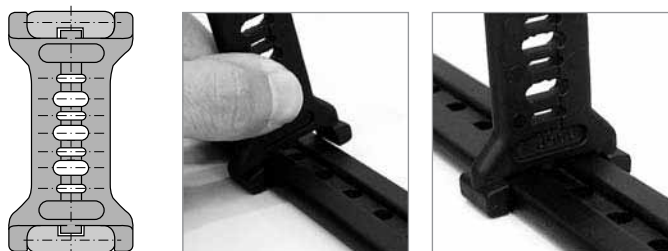
Types MK 0475, ME/MK 0650, 0950 and 1250

Mounting versions A and B for divider systems

Mounting version A (standard)

Movable divider:

The arresting cam of the divider can move in the groove of the stay.

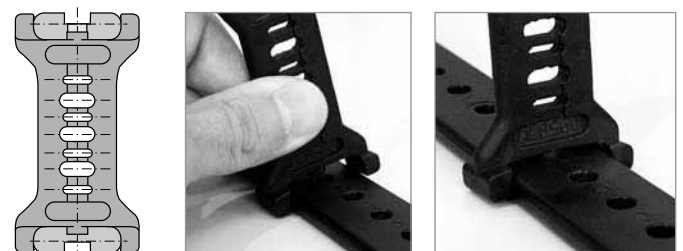


With a movable assembly of the dividers (mounting version A), the holes in the stay do not have any function and hence the dimension a_x -section is meaningless.

Mounting version B

Fixed divider:

The arresting cam of the divider is fixed in the borehole of the stay.



Please note that the dividers can only be fixed in positions at which there is a hole in the stay. The dimension a_x -section specifies the hole intervals in the stay.

Hole intervals = fixing positions of the dividers (a_x -sections)

By simply turning the stays, it is also possible at any subsequent time to switch between movable and fixed assembly of the dividers (not in case of ME 0320).

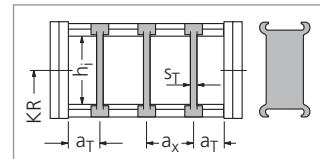
Types ME 0320, MK 0475, ME/MK 0650, 0950 and 1250

Divider systems

Divider system TS 0

Type	Stay variant	h_i mm	Mounting version A			Mounting version B			
			S_T mm	a_T min mm	a_x min mm	S_T mm	a_T min mm	a_x min mm	a_x section mm
ME 0320	RE	19	2	3	6	2	4.5	8	4
MK 0475	RD	28	2.8	6	7.8	2.8	12	8	8
ME/MK 0650	RE/RD	42	4.2	6.5	13	4.2	13	16	8
ME/MK 0950	RE/RD	58	6	7.5	14.5	6	22.5	16	16
ME/MK 1250	RE/RD	72	8	5	14.5	8	19.5	16	16

In the standard version, the divider systems are mounted on every second chain link.

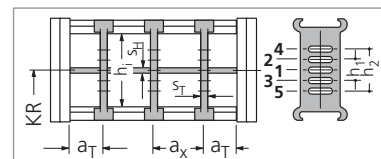


Divider system TS 1

with continuous height separation made of aluminium

Type	Stay variant	h_i mm	Mounting version A			Mounting version B				S_H mm	h_1 mm	h_2 mm
			S_T mm	a_T min mm	a_x min mm	S_T mm	a_T min mm	a_x min mm	a_x section mm			
ME 0320	RE	19	2	3	6	2	4.5	8	4	2	10	–
MK 0475	RD	28	2.8	6	7.8	2.8	12	8	8	2.4	15	–
ME/MK 0650	RE/RD	42	4.2	6.5	13	–	–	–	–	4	10	22
ME/MK 0950	RE/RD	58	6	7.25	14.5	6	22.5	16	16	4	22	–
ME/MK 1250	RE/RD	72	8	5	14.5	8	19.5	16	16	4	32	–

In the standard version, the divider systems are mounted on every second chain link.



Divider system TS 3

ME/MK 0650, 0950 and 1250 with plastic partition divider system TS 3

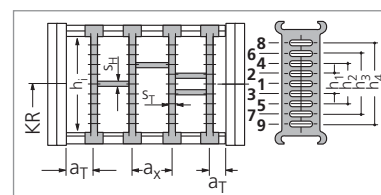
The dividers for divider system **TS 3** do not have any arresting cams. Thus, no mounting version B (fixed mounting) is possible.

Type	Stay variant	h_i mm	S_T mm	a_T min mm	a_x min mm	S_H mm	h_1 mm	h_2 mm	h_3 mm	h_4 mm
MC 0650	RE/RD	42	8	4	16*	4	14	28	–	–
MC 0950	RE/RD	58	8	4	16*	4	14	28	42	–
MC 1250	RE/RD	72	8	4	16*	4	14	28	42	56

* When using plastic partitions

The dividers are fixed by the partitions, the complete divider system is movable.

Divider system **TS 2** with fixable dividers (mounting version B) and aluminium height subdivisions in 1 mm width sections is available. Please do get in touch with us.

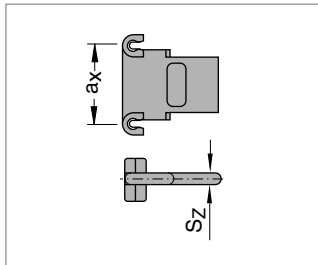


In the standard version, the divider systems are mounted on every second chain link.

Types ME 0320, MK 0475, ME/MK 0650, 0950 and 1250

Partitions

Dimensions of the plastic partitions for TS 3



There are also aluminium partitions in 1 mm width sections available.

Dimensions in mm

Sz	ax (center-to-center distance, dividers)									
	16	18	23	28	32	33	38	43	48	58
4	64	68	78	80	88	96	112	128	144	160
	176	192	208							

When using **partitions with ax > 112 mm**, there should be an additional central support with a **twin divider**.

Thickness of the twin dividers: ME/MK 0650 $S_T = 3$ mm, ME/MK 0950, 1250 $S_T = 4$ mm

Twin dividers are designed for subsequent fitting in the partition system. You can find further information on this in our main catalog.

Gliding elements – the economical solution for gliding applications

Replaceable glide shoes



By means of a positive snap connection, the glide shoes sit firmly on the chain link.

Replaceable glide shoes made of plastic*

To extend the life of cable carriers in gliding operations KABELSCHLEPP supplies detachable, exchangeable glide shoes.

Replaceable glide shoes are a very economical solution. When wear occurs only the glide shoes are replaced, and not the complete cable carrier.

For travel speeds > 2.5 m/s and large additional loads, a highly wear-resistant special material is used.

For type ME/MK 0950 **OFFROAD glide shoes** with 70 % greater wear volumes are also available. We recommend their use in extreme environmental conditions (with particularly abrasive materials such as e. g. sand, dust, corundum).

* not for ME 0320

Chain height with glide shoes: (Dimensions in mm)

MK 0475:	$h_G' = h_G + 2.5 = 41.5$
ME/MK 0650:	$h_G' = h_G + 3.2 = 60.2$
ME/MK 0950:	$h_G' = h_G + 3.5 = 83.5$
ME/MK 1250:	$h_G' = h_G + 3.5 = 99.5$

Minimum bend radii

when using glide shoes:

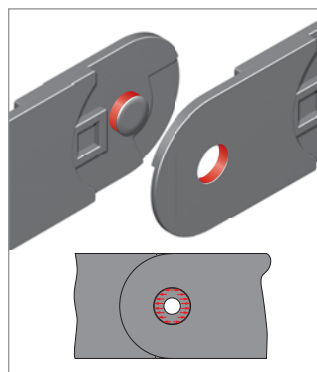
MK 0475:	$KR_{min} = 100$ mm
ME/MK 0650:	$KR_{min} = 95$ mm
ME/MK 0950:	$KR_{min} = 140$ mm
ME/MK 1250:	$KR_{min} = 180$ mm

Minimized hinge wear owing to the “life extending 2 disc principle”

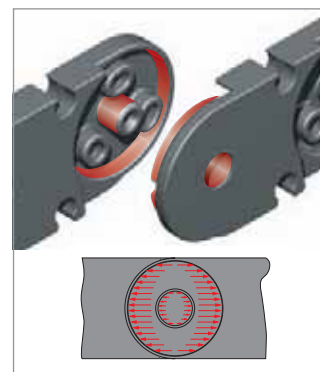
In the M Series*, the push and pull forces are transmitted via the optimum link design for this purpose.

As a result link wear is reduced to a minimum and the life of the cable carrier is considerably lengthened.

* not for type 0320



Force transmission with a pin-hole joint



Force transmission with the “life extending 2 disc principle”

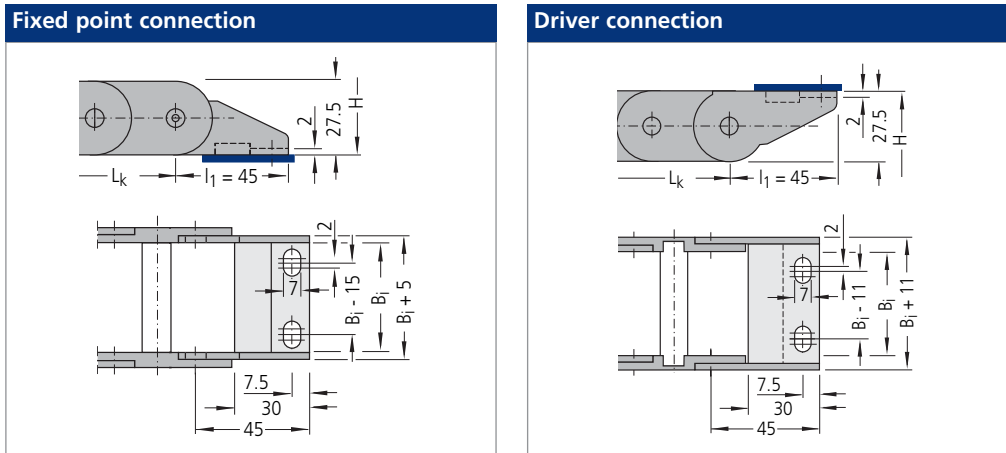
Types ME 0320, MK 0475, ME/MK 0650, 0950 and 1250

Connection dimensions for type ME 0320

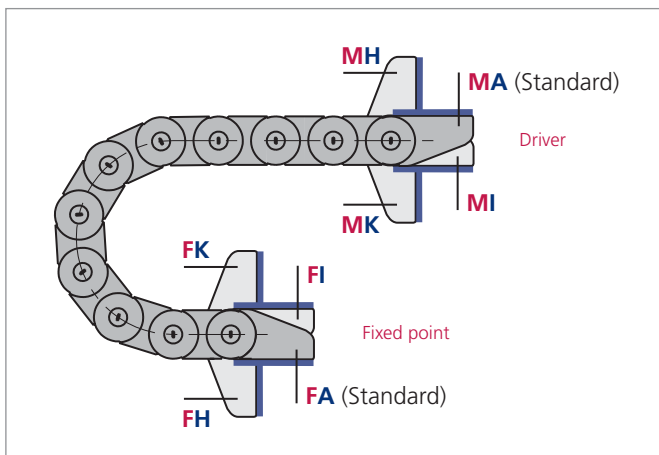
Connectors made of plastic/aluminium

Standard connectors without strain relief.

Connectors with strain relief available on request.



Connection variants for type ME 0320



Connection point

M – Driver

F – Fixed point

Connection type

A – Threaded joint (standard)

I – Threaded joint, inside

H – Threaded joint, rotated through 90° to the outside

K – Threaded joint, rotated through 90° to the inside

In the standard version, the connectors are mounted with the threaded joint outwards (**FA/MA**).

When ordering please specify the desired connection type (see ordering key on page 246).

The connection type can subsequently be altered simply by changing the connectors.

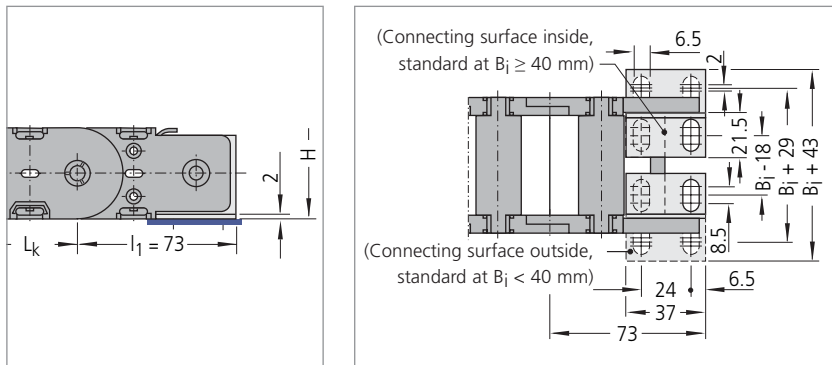
Types ME 0320, MK 0475, ME/MK 0650, 0950 and 1250

Connection dimensions for type MK 0475

Connectors made of plastic/steel

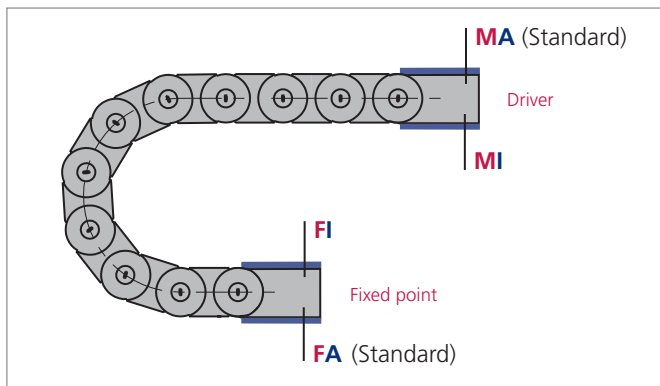
End connector made of steel plate.

Screwable strain relief made of aluminium on request.



The dimensions of the fixed point and driver connections are identical.

Connection variants for type MK 0475



Connection point

- M** – Driver
- F** – Fixed point

Connection type

- A** – Threaded joint (standard)
- I** – Threaded joint, inside

In the standard version, the end connectors are mounted with the threaded joint outwards (**FA/MA**).

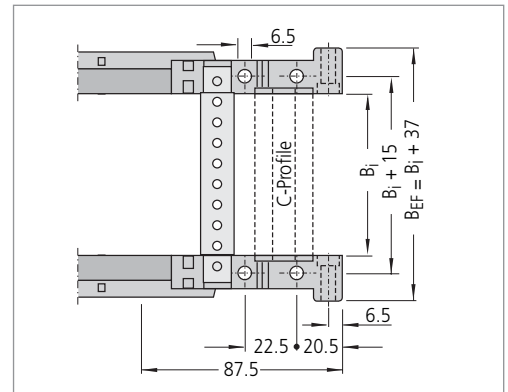
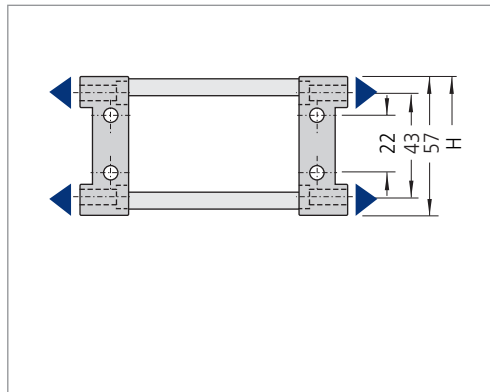
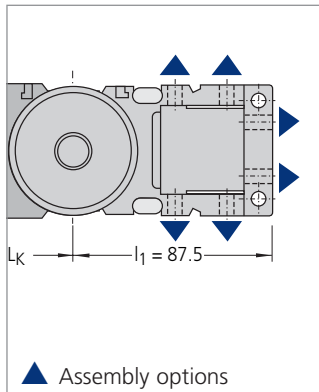
When ordering please specify the desired connection type (see ordering key on page 246).

The connection type can subsequently be altered simply by changing the connectors.

Types ME 0320, MK 0475, ME/MK 0650, 0950 and 1250

Connection dimensions for types ME/MK 0650

UMB (Universal Mounting Brackets) made of aluminium



The dimensions of the fixed point and driver connections are identical.

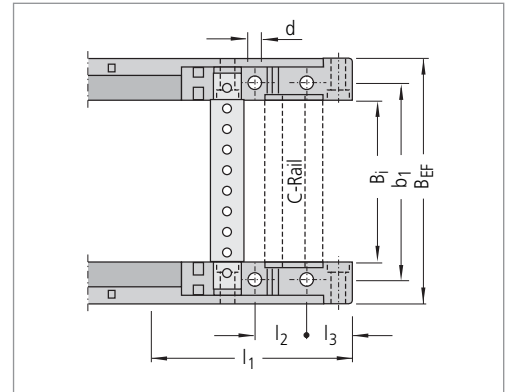
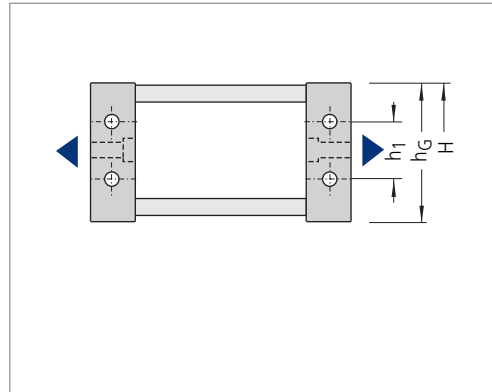
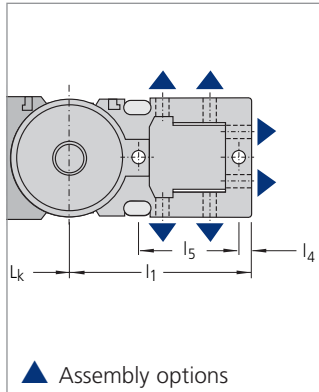
Optionally with C-Profile, slot width 11 – 12 mm, suitable for KABELSCHLEPP SZL-strain relief devices and all common commercial bracket clamps with a small base (see chapter guide channels and other accessories, from page 218 onwards).

End connectors made of steel plate available on request.

Types ME 0320, MK 0475, ME/MK 0650, 0950 and 1250

Connection dimensions for types ME/MK 950 and 1250

UMB (Universal Mounting Brackets) made of aluminium



The dimensions of the fixed point and driver connections are identical.

Optionally with C-Rail, slot width 16 – 17 mm,
suitable for KABELSCHLEPP SZL-strain relief devices
and all common commercial bracket clamps with a large base
(see chapter on guide channels and other accessories, from page 218 onwards).

End connectors made of steel plate available on request.

Dimensions in mm

Type	B_{EF}	b_1	d	l_1	l_2	l_3	l_4	l_5	h_1	h_G
MC 0950	$B_i + 44$	$B_i + 24.5$	8.5	136	35	24.5	8.5	80	45	80
MC 1250	$B_i + 51$	$B_i + 28$	11	168	35	31	10.5	94.5	45	96

B_{EF} = Chain width over connector