

Cable carriers made of steel

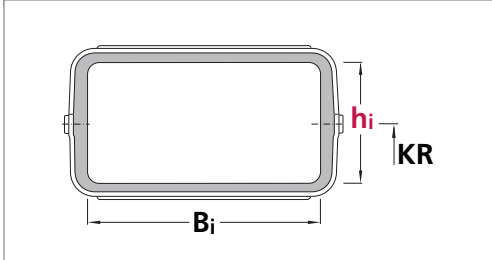
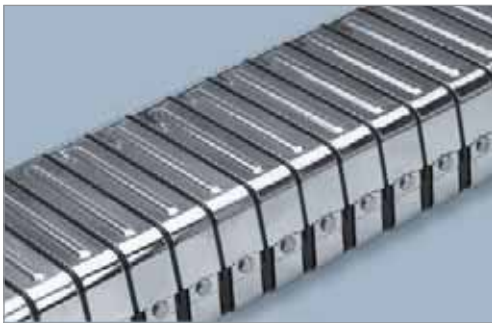
CONDUFLEX



CONDUFLEX – Designer-Tube



- Completely enclosed cable carriers in a sophisticated design
- Attractive appearance owing to high-grade steel brackets and fiberglass reinforced polyamide frame
- Easy replacement of the brackets where external damage has occurred
- Optimum protection for cables and hoses
- Easy to shorten or extend at a later date
- TÜV type tested in accordance with 2 PFG 1036/10.97



Types CF 055, CF 060, CF 085, CF 115, CF 120, CF 175

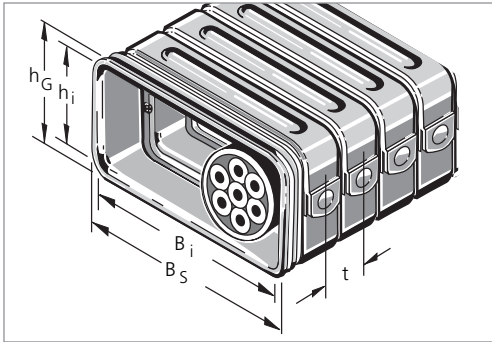
Closed cable carriers (tubes)

Dimensions in mm

Type	h _i	B _i	Maximum travel length in m	Dynamics of unsupported arrangement		Page
				Travel speed v _{max} in m/s	Travel acceleration a _{max} in m/s ²	
CF 055	25	45	3,0	10	20	202
CF 060	40	36	3,5	10	20	202
CF 085	38	73	4,0	8	18	202
CF 115	52	102	5,0	8	16	202
CF 120	70	100	5,5	6	15	202
CF 175	72	162	6,0	6	12	202

CONDUFLEX – Types CF 055, 060, 085, 115, 120, 175

Dimensions and intrinsic weight



Type	h_i mm	h_G mm	B_i mm	B_s mm	Intrinsic hose weight kg/m
CF 055*	25	38	45	62	1.25
CF 060	40	52	36	60	1.60
CF 085*	38	52	73	92	1.90
CF 115*	52	67	102	123	2.60
CF 120	70	86	100	127	3.80
CF 175*	72	94	162	190	5.20



*) KABELSCHLEPP CONDUFLEX tubes CF 055, CF 085, CF 115 and CF 175 can be fitted with **protective straps**, to shield the impact slots of the plastic frame from contamination.

Bend radius and pitch

Dimensions in mm

Type	Bend radii KR			
CF 055	65	100	150	–
CF 060	100	–	–	–
CF 085	100	150	200	250
CF 115	140	225	300	–
CF 120	155	200	–	–
CF 175	185	250	350	–

Pitch t:

Type CF 055: 20 mm

Type CF 060: 20 mm

Type CF 085: 20 mm

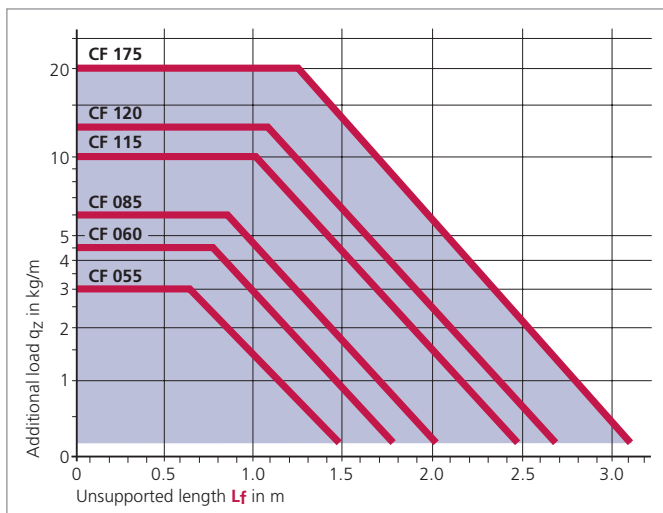
Type CF 115: 25 mm

Type CF 120: 25 mm

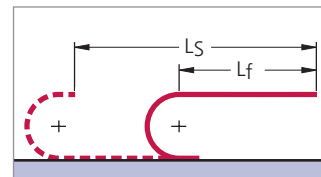
Type CF 175: 30 mm

Load diagram

for unsupported length L_f depending on the additional load



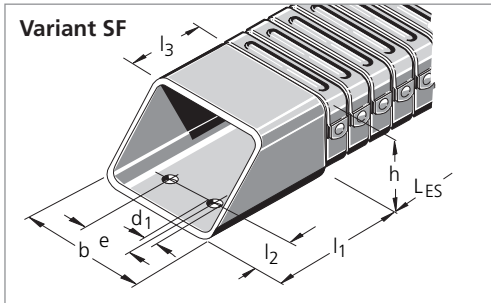
Unsupported length L_f



CONDUFLEX – Types CF 055, 060, 085, 115, 120, 175

Connection dimensions

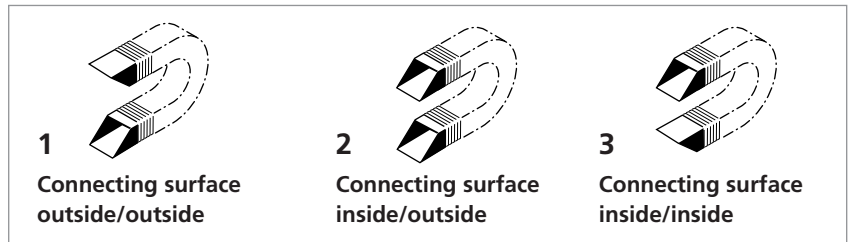
Diagonal flange connector bracket made of aluminium – Variant SF



Dimensions in mm

Type	b	h	e	d ₁	l ₁	l ₂	l ₃
CF 055	55	36	22	6.5	44	12.5	20
CF 060	55	52	22	6.5	44	12.5	20
CF 085	85	50	50	6.5	70	15.0	32
CF 115	117	66	70	8.5	84	17.5	34
CF 120	120	84	70	8.5	82	17.5	48
CF 175	182	92	100	10.5	100	22.5	45

Connection variants for diagonal flange connectors



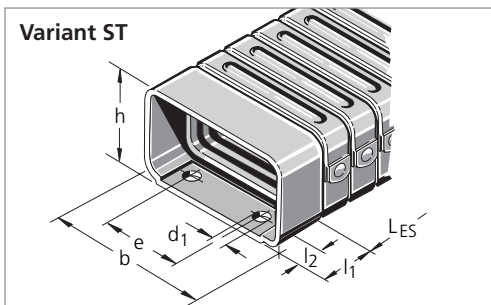
The connectors SF, ST, QF and HF can be combined.

Please state the desired connection type when placing your order.

Example:

Driver SF: Diagonal flange connector bracket with the connecting surface outside
 Fixed point QF: Cross flange connector

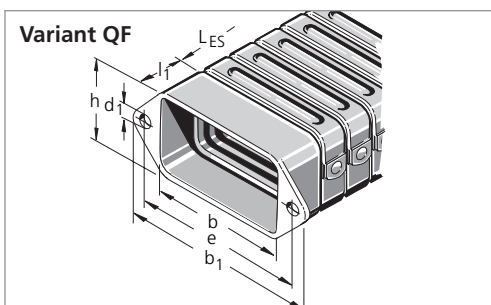
Standard connector bracket made of aluminium – Variant ST



Dimensions in mm

Type	b	h	e	d ₁	l ₁	l ₂
CF 055	55	36	22	6.5	20	8.5
CF 060	–	–	–	–	–	–
CF 085	85	52	50	6.5	25	10.0
CF 115	116	68	65-70	8.5	35	10.0
CF 120	120	84	70	8.5	35	12.5
CF 175	182	92	100	10.5	40	15.0

Cross flange connector bracket made of aluminium – Variant QF



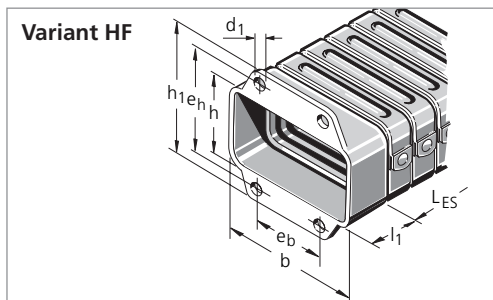
Dimensions in mm

Type	b	h	b ₁	e	d ₁	l ₁
CF 055	55	35	90	75	6.5	20
CF 060	–	–	–	–	–	–
CF 085	85	50	120	105	6.5	25
CF 115	116	64	160	140	8.5	35
CF 120	–	–	–	–	–	–
CF 175	182	90	226	200	10.5	40

CONDUFLEX – Types CF 055, 060, 085, 115, 120, 175

Connection dimensions

High flange bracket made of aluminium – Variant HF



Dimensions in mm

Type	b	h	h_1	e_b	e_h	d_1	l_1
CF 055	55	35	70	18	55	6.5	20
CF 060	–	–	–	–	–	–	–
CF 085	85	50	85	45	70	6.5	25
CF 115	116	64	110	60	90	8.5	35
CF 120	–	–	–	–	–	–	–
CF 175	182	90	136	95	110	10.5	40